



Safety Instructions

0,1,2,4,6,7,8,11,15
18,19,25,26,28

Info Hotline

+49 (0) 5041 998 389
Mon.-Do. 7⁰⁰-20⁰⁰
Fr. 7⁰⁰-17⁰⁰

Paulmann Licht GmbH
Quezinger Feld 2
31832 Springe
Germany
www.paulmann.com

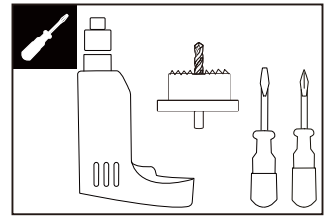
Art.-Nr.: 928.16_17_32_33_38_39 (+MA173) PSU 08/15

928.16/928.32

1x 1x incl.

928.17/928.33

3x 3x incl.

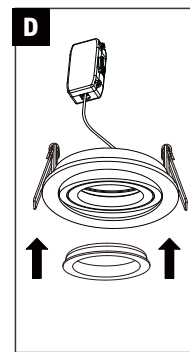
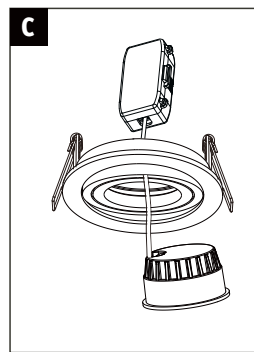
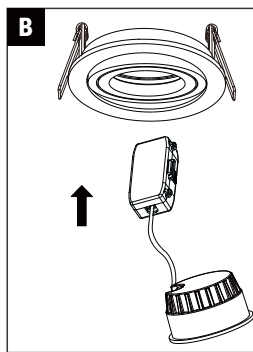
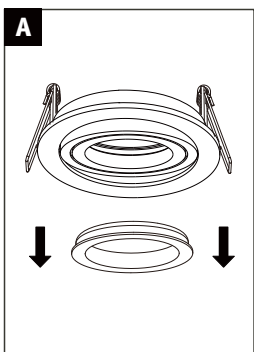
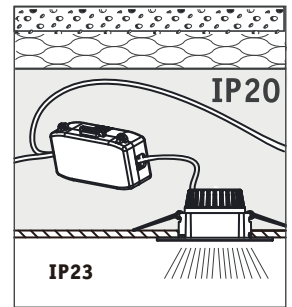
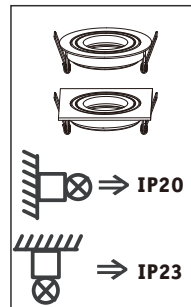
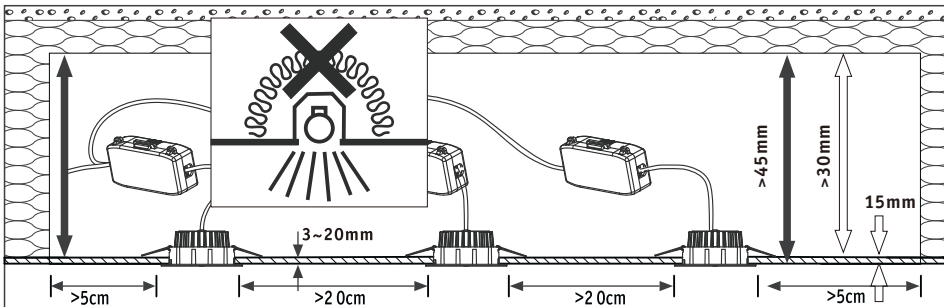


928.38

1x 1x incl.

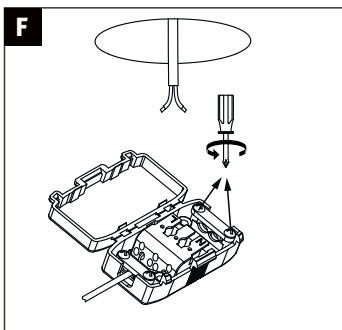
928.39

3x 3x incl.



E **Safety Instructions Nr.0,1**

($\varnothing 82\text{ mm}$)



G

1 $\varnothing 8-12\text{ mm}$ 7mm 14mm

Safety Instructions Nr.0,4

